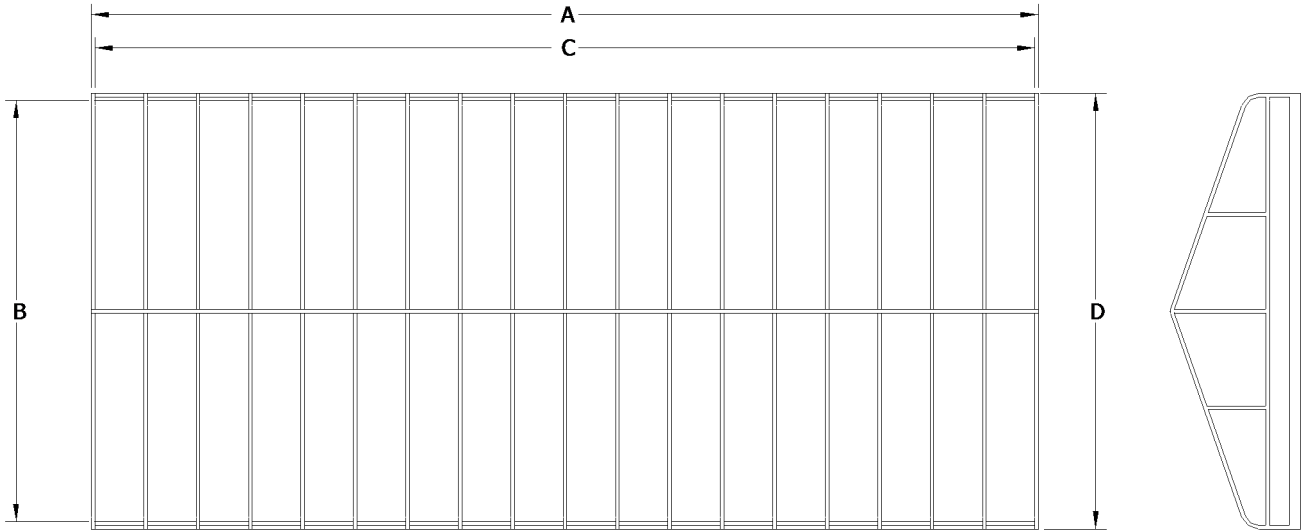


Attn: Whiskey Creek Trading Co.

**Feighner® Frame
Specification Sheet**



***ALL MEASUREMENTS (±1")**

PART NO.	SIZE	OVERALL LENGTH "A"	INSIDE WIDTH "B"	SIDE RAIL LENGTH "C"	OUTSIDE WIDTH "D"
FN2400120	24' X 120"	24'	124"	25' 10"	126"
FN2600120	26' X 120"	26'	124"	28' 10"	126"
FN2800120	28' X 120"	28'	124"	28' 10"	126"
FN3000120	30' X 120"	28'	124"	28' 10"	126"
FN3200120	32' X 120"	28'	124"	28' 10"	126"

ATTACHMENT

Continuous bungee is strung through d-rings and hooked to aluminum flat bar via s-hooks.

STANDARD VALANCE: 12" VALANCE

****If dimensions don't match above, fill out detail sheet on page 2****

OUTSIDE DIMENSIONS

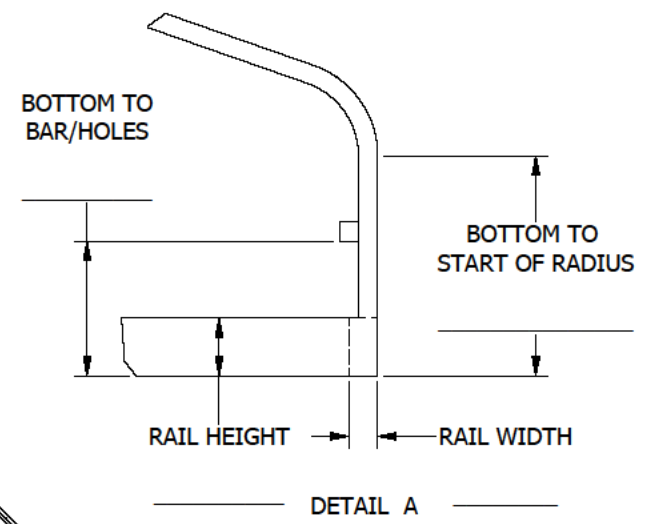
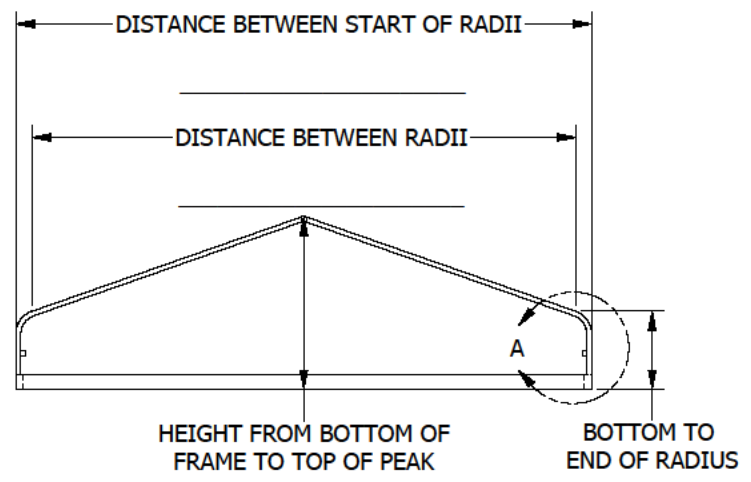
- A _____ OVERALL LENGTH OF FRAME
- B _____ INSIDE WIDTH OF FRAME
- C _____ LENGTH OF SIDE RAILS (W/O ENDS)
- D _____ OUTSIDE WIDTH OF FRAME

CONTACT INFORMATION

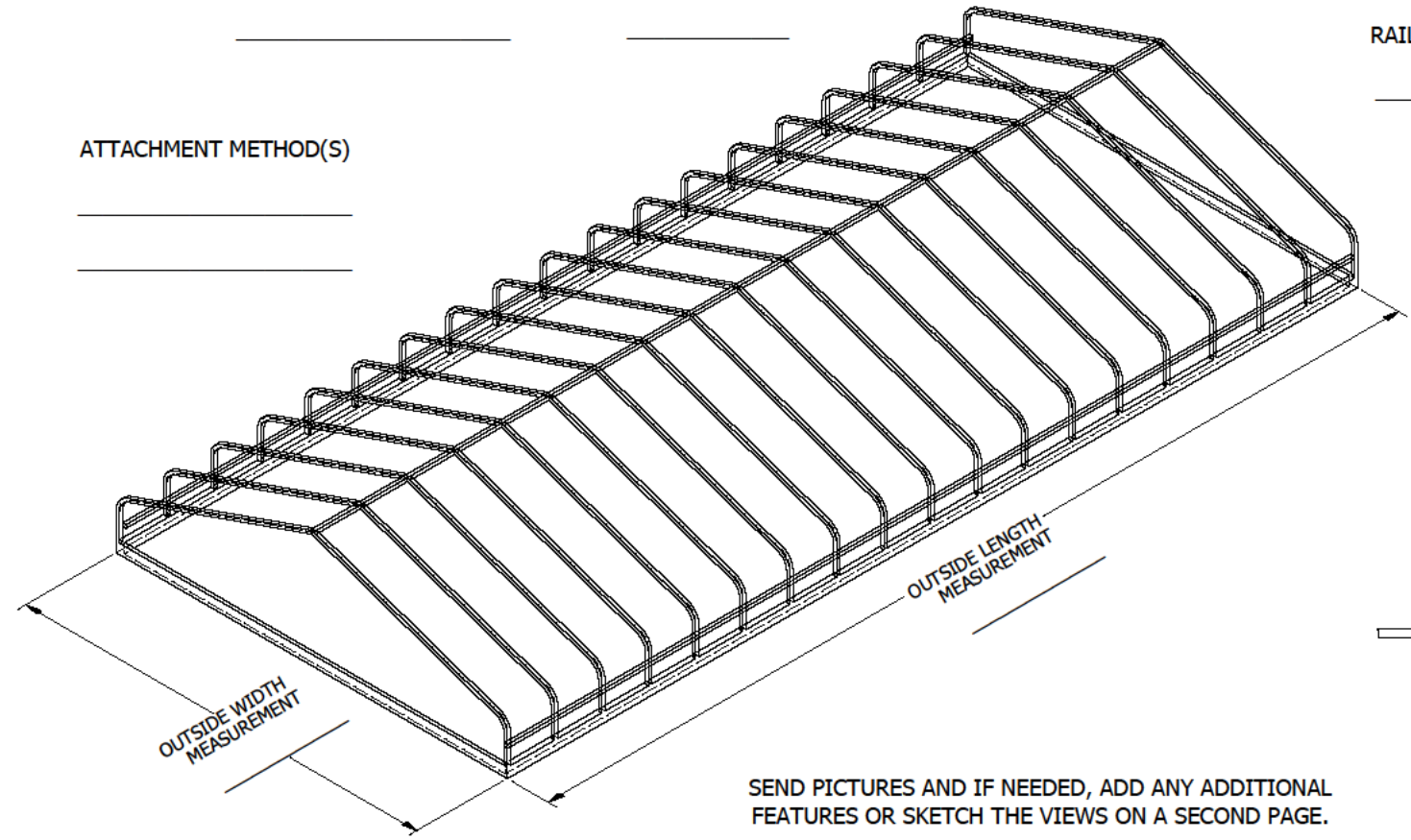
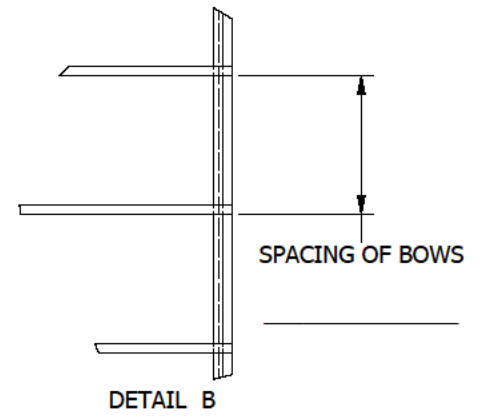
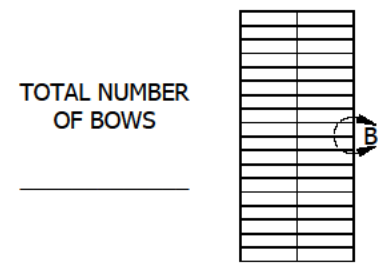
- Name _____
- Address _____
- City _____ State _____ Zip _____
- Phone _____ Fax _____
- Boat Lift Brand _____

NOTES

REVISIONS				
REV	ECN	DATE	DESCRIPTION	ISSUER
A	EC-00469	10/4/2016	RELEASE	RML



ATTACHMENT METHOD(S)



SEND PICTURES AND IF NEEDED, ADD ANY ADDITIONAL FEATURES OR SKETCH THE VIEWS ON A SECOND PAGE.

TOLERANCES - UNLESS NOTED		TITLE:			SIZE
DECIMAL ±		PEAKED FLUSHED END FRAME DETAIL SHEET			C
FRACTION ±		DRFT:	DATE:	SCALE:	SHEET:
ANGLE ±		RML	10/4/2016		1
		ENGR:	DATE:		1
		CWG	10/10/2016		
		PART NO:			
		F-133			